



# ARTICULATING ARM 55-GALLON DRUM UNLOADER

## Sanitary Applications





\* Unloader must be firmly fixed to the floor to prevent tipping.

### Versatile. Efficient. Powerful.

- Labor saving single arm with swivel for unloading 4 drums on a pallet without repositioning drums.
- Easily moved arm saves time lost in drum alignment associated with traditional stationary unloaders.
- Unloaders are equipped with high volume progressive cavity pumps capable of up to **25 gallons per minute and 150 PSI**.
- Pumps are perfect for highly viscous products or fluids with suspended solids.
- Pumps are excellent for accurate metering of the container contents during unloading.
- The electric driven pump is quieter and more efficient to operate than traditional air driven pumps.

### Which Pump Is Right For You?

High Viscous Product	Medium Viscous Submersible
<p><b>25 G.P.M. 150 PSI</b></p>  <p>Pump and following plate compress highly viscous product that is too thick to flow.</p>	<p><b>25 G.P.M. 150 PSI</b></p>  <p>Hygienic pump capable of submersion in medium viscous liquids.</p>

See reverse side for dimensional drawing.

### Available Options Include:

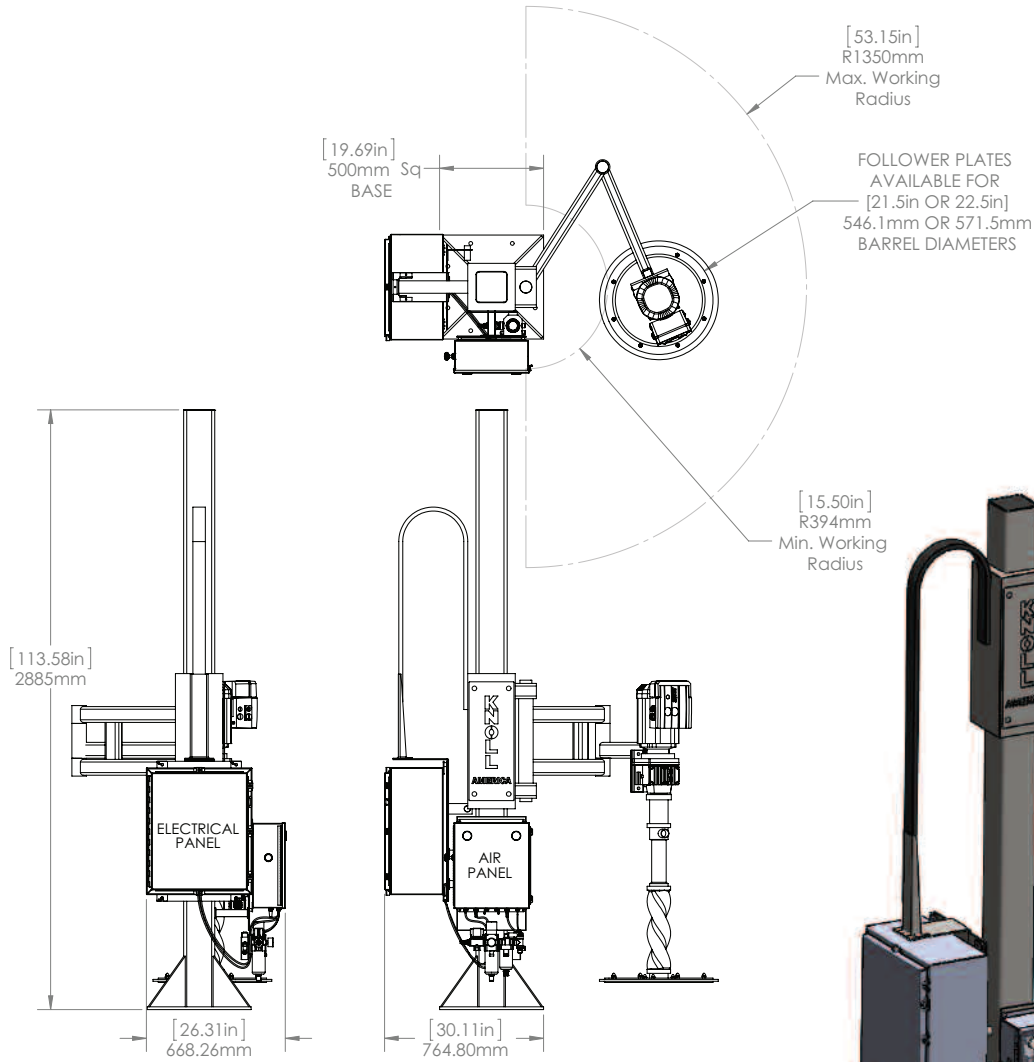
- Stainless Steel Motor
- Variable Speed Motor
- Dry Run Protection
- CIP Ports

**KNOLL**  
It works



# ARTICULATING ARM 55-GALLON DRUM UNLOADER

## Sanitary Applications



Labor saving single arm with swivel for unloading 4 drums on a pallet without repositioning drums.



*For information contact:*



**KNOLL America Inc.**  
 313 West Girard  
 Madison Heights  
 USA-MI 48071  
 Tel. (248) 588-1500  
 Fax (248) 589-3400  
[www.knollamerica.com](http://www.knollamerica.com)

**KNOLL**  
*.It works*